



AL50R

RADIO PORTABLE CONSOLLE



- Portable remote-control device for industrial lifting machines, materials handling and aerial platforms equipped with the RDC EVO receiver
- Up to 2 double-axe proportional joysticks
- Up to 10 pushbuttons
- Up to 12 led
- Emergency pushbutton with dry contacts
- Fully customizable layout
- Hamming security code for continuous work without interruptions on 434 or 868 MHz band

TECHNICAL FEATURES

MASTER CODE	AL50R.453	
POWER SUPPLY	BATTERY: INTEGRATED NI-MH AUTONOMY: UP TO 8 HOURS IN CONTINUOS TRANSMISSION (MAX 4 HOURS FOR A COMPLETE CHARGE)	
COMMUNICATION PORTS	RADIO: 868 MHz / 434 MHz BAND	
RADIO FEATURES	BAND: 868 MHz (869.700-870.00 MHz) / 434 MHz (433.050-434.790 MHz) CHANNELS: 12 (AUTOMATIC FREQUENCY SCAN) MODULATION: 2-GFSK\	
RADIO PROTOCOL	PACKET TRANSMISISON PROTOCOL (PROPRIETARY) BIDIRECTIONAL LINK HAMMING DISTANCE = 4 SAFETY STOP INTERVENTION TIME < 0,5s	
CONNECTIONS	BATTERY CHARGER: jack connector for battery charger 220VAC-12VDC adapter	
CASE	BLACK PA	
HANDLING	Waist belt/ shoulder strap	
TEMPERATURE	BATTERY SPECS: CHARGING T.: 0+45°C STORAGE T.: -20+45°C OPERATING: -10+ 60°C	ELECTRONIC SPECS: OPERATING T.: -25+70°C STORAGE T.: -40+70°C
PROTECTION	IP65	



(20/02/2026) - 1



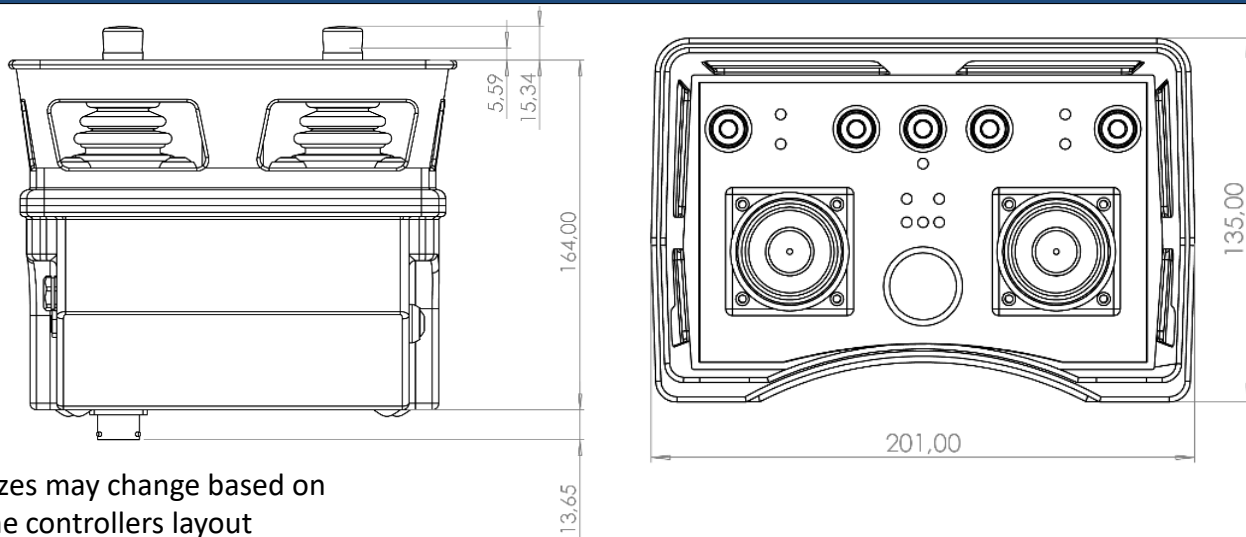
AL50R

RADIO PORTABLE CONSOLLE

STANDARDS

	ACCORDING TO DIRECTIVE 2014/30/EU:
ELECTROMAGNETIC (EMC)	EN 61000-6-4 EN 61000-6-2 EN 50498
ROAD VEHICLES	ISO 7637-2: 2011 ISO 11452-1: 2005
INFORMATION TECHNOLOGY EQUIPMENT – SAFETY	EN 60950-1
	ACCORDING TO DIRECTIVE 2014/53/EU:
RADIO SPECTRUM MATTERS (RED)	ETSI EN 300.220-1 ETSI EN 300.220-2 ETSI EN 301.489-1 ETSI EN 301.489-3
PERFORMANCE AND SAFETY INTEGRITY LEVEL	EN ISO 13849-1 PLC – SIL1 (SINGLE-CHANNEL INTERNAL SCHEME)
EMERGENCY STOP BUTTON (manufacturer's specification)	EN60947-5-1 EN60947-5-5

SIZE (mm)



COMPATIBLE RADIO RECEIVER UNIT

MASTER CODE	RDC EVO (SEE THE DATASHEET FOR MORE INFORMATION)
POWER SUPPLY	9 - 30 VDC
COMMUNICATION	NETWORK: CAN BUS 2.0B COMPLIANT – CANOPEN PROTOCOL RADIO: 868 MHz / 434 MHz BAND
CONNECTIONS	MAIN: TE DEUTSCH DTF13-6P ANTENNA: SMA socket
CASE	ENCAPSULATED IN PUR RESIN - UL94 (V0)





AL50R

RADIO PORTABLE CONSOLLE

CONNECTOR PINOUT

BATTERY CHARGER CONNECTOR



VEHICLE CHARGER WITH CIGARETTE LIGHTER CONNECTOR (12/24 VDC)

P/N: ALNWR.276.CB.S01



BATTERY CHARGER 220 VAC ELECTRICAL SOCKET

P/N: ALNWR.276.CB.S03



STATUS BAR

<p>EMERGENCY STOP BUTTON</p>	<p>MUSHROOM BUTTON WITH ROTATING RELEASE USAGE CONDITIONS ON DRY CONTACTS: 3 A a 120 V, AC-15, B300 1,5 A a 240 V, AC-15, B300 0,1 A a 250 V, DC-13, R300 0,22 A a 125 V, DC-13, R300</p>
<p>JOYSTICK</p>	<p>UP TO N.4 ANALOG INPUT FOR: → No. 4 SINGLE-AXLE JOYSTICK (X-X) with out-from-center detect input or → No.2 DOUBLE-AXES JOYSTICK (X-Y) with out-from-center detect input</p>
<p>PUSHBUTTONS</p>	<p>N.1 BUTTON FOR DEVICE POWER ON UP TO 10 DIGITAL INPUTS FOR - PUSHBUTTON - TOGGLE SWITCH - ROCKER SWITCHES - OTHERS ON REQUEST</p>
<p>SPOTLIGHT LED</p>	<p>N. 5 LEDS for the indication of the operating status, the battery charge level and coded messages UP TO 7 MONOCROMATIC LED FOR CUSTOMER USAGE</p>
<p>BUZZER</p>	<p>optional</p>



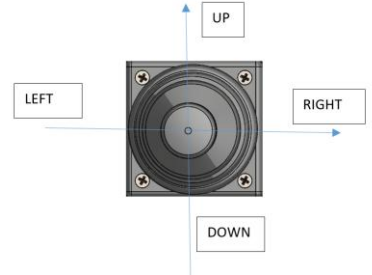
AL50R

RADIO PORTABLE CONSOLE

JOYSTICK FEATURES

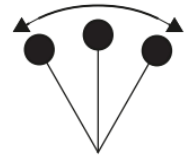
2-AXES

- HALL effect proportional manipulators 2 axes (x and y) with square/cross/diamond/circular limitation.
- Operating angle: 36°
- On request: cross limitation is done via software within 35s of the drive.
- Spring back to center.
- Output: Gain 40% (0.5-4.5V)
- Operating force 1.3N (max 400N)



SINGLE-AXLE

- HALL effect proportional manipulators
- Operating angle 25 mm
- Spring back to center.
- Available low profile (in shape) or high profile (out of shape)
- Output: Gain 40% (0.5-4.5V)
- Operating force: 75N



SAMPLE LAYOUT

FULLY COSTUMIZABLE

CONSOLE STATUS LED

Custom led integrated on the graphic label

side buttons can be installed for custom applications e.g., for duplicates the functionality of each button or DMS function

EMERGENCY STOP BUTTON

WAIST BELT/ SHOULDER STRAP INCLUDED

CUSTOMIZABLE GRAPHIC LABEL

PUSHBUTTON AVAILABLE ON COLORS:
Blue, Dark blue, Black, Green, Grey, Yellow 6 Red, White, Bright chrome, Orange, Satin chrome

SINGLE-AXLE JOYSTICK

LOW PROFILE SINGLE-AXLE JOYSTICK

2-AXES JOYSTICK



NOTE