



AL35R15

ELECTROPNEUMATIC DISTRIBUTOR



- Electro-pneumatic distributor designed for the hydraulic distributor switching
- From 8 up to 16 electro valves switched from the CAN line
- vibrations and water resistance
- Suitable for use in harsh work environments



TECHNICAL DATA

MASTER CODE	AL35R15
POWER SUPPLY	ELECTRONIC BOARD: 9 – 36 VDC / CURRENT CONSUMPTION 50 mA @24 VDC (STAND BY MODE) ELECTROVALVES: 12VDC OR 24VDC
GENERAL AIR SUPPLY	8 BAR
OUTPUT	UP TO 16 E.V. (SEE THE PURCHASE CODES «E.V. OUT» FOR OPTIONS)
AIR FLOW RATE	30 NI/min (@ 6 bar Δp 1 bar, FOR SIGLE E.V.)
LED	N.1 STATUS LED
CAN BUS	2.0B COMPLIANT - (11, 29 BIT) - ISO 11898 - UP TO 1MBIT/S
CAN BUS PROTOCOLS	CAN OPEN (CIA DS401 DEVICE PROFILE FOR GENERIC I/O MODULE, WITH DS306 EDS FILE) ON REQUEST: SAE J1939
CONNECTIONS	ELECTRICAL: AMP SUPERSEAL 4 PIN FPM PNEUMATIC: SWIVEL PNEUMATIC CONNECTION WITH QUICK COUPLING FOR PIPES Ø 6 mm ON REQUEST: Ø 4 mm
CASE	BASE: ANODIZED ALUMINUM CARTER: PA66 25%FV V0
WORKING TEMPERATURE	ELECTRONICS: -40+80°C ELECTRO VALVES: -5+50°C

ELECTRONIC FEATURES

SLAVE USAGE	EDS FILE
PROGRAMMING	FIRMWARE UPLOAD BY CAN BUS WITH BOOTLOADER



(20/02/2026) - 1



AL35R15

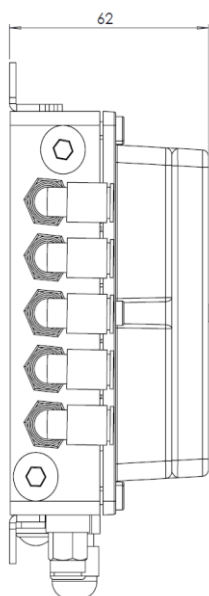
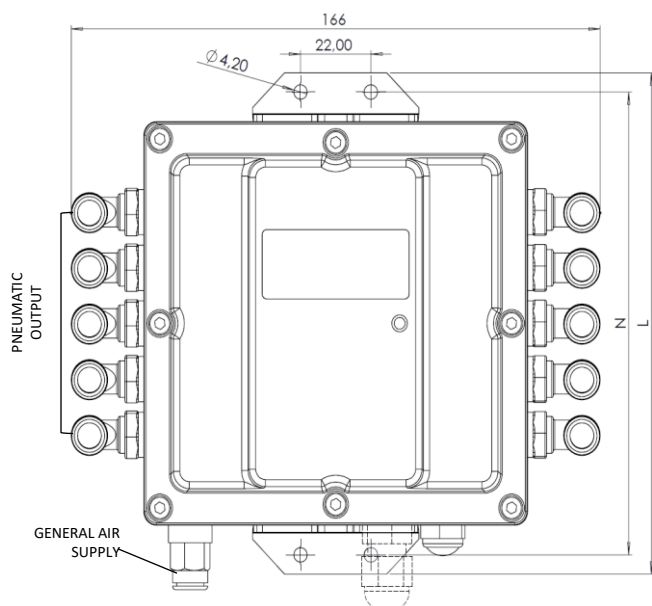
ELECTROPNEUMATIC DISTRIBUTOR

STANDARDS

IP GRADE	CASE: IP68 PNEUMATIC FITTINGS: IP65
ELECTROMAGNETIC EMISSIONS	EN 61000-6-4// EN 55011 (RF RADIATE)
ELECTROMAGNETIC IMMUNITY	EN 61000-6-2// EN 61000-4-2/3/4/6
MTTFd	407 YEARS CALCULATED ACCORDING TO THE IEC61709 (SIEMENS SN29500), ENVIRONMENTAL FACTORS 3K7 (IEC60721). E.V. CYCLE TIME: 60 s (FOR 8 h/day, 300 day/year)
ELECTRONIC PERFORMANCE AND SAFETY LEVEL	PLc – SIL1 (SINGLE-CHANNEL INTERNAL SCHEME)

IN ACCORDANCE WITH THE EN50498 THE DEVICE MEETS THE TECHNICAL SPECIFIC REQUIREMENTS OF 2004-104 DIRECTIVE (AUTOMOTIVE). THE DEVICE IS EMC 2004/108 COMPLIANT

SIZE (mm)



SIZE (mm)

AMP SUPERSEAL 4 PIN FPM

PINOUT

1	BN	POWER SUPPLY
2	BK	CAN H
3	BU	GND
4	WH	CAN L

SIZE (mm)

ELEMENTS	E.V. OUT	N (mm)	L (mm)
4	8	117	128
5	10	133	144
6	12	149	160
7	14	165	176
8	16	181	192

FEATURES

MINIATURE PORTED FILTER/REGULATOR
With automatic water drainage
Fitting: G1/8



OPTIONAL
CODE: MFR.18.B07.TT.C



NOTE