



AL14R

DIGITAL RADIO PUSHBUTTON



The AL14 is a pushbutton designed for remote control applications of machines and equipment equipped with the radio receiver RDC EVO.

The device has 14 key keypad on which 5 of them has an integrated spotlight led.

If required, a side button can be installed for custom application e.g., for duplicates the functionality of each button.

The keyboard graphic can be customized to best fit the machine application.

The hamming security code allows for continuous work without any interruptions caused by radio interference on 434 or 868 MHz band.

TECHNICAL DATA

MASTER CODE		AL14R
POWER SUPPLY		3.6V 300 mAh NiCd
BUTTONS	TOTAL 16	MEMBRANE KEYPADS WITH N. 14 FRONTAL KEYS (N.5 WITH INTEGRATED SPOTLIGHT) N. 1 SIDE BUTTON (OPTIONAL) N. 1 EMERGENCY STOP BUTTON
LED	TOTAL 5	N. 5 PROGRAMMABLE SPOTLIGHT LEDS (PUSHBUTTONS INTEGRATED)
RADIO		433,92 MHz – 868MHz - HAMMING SECURITY CODE
AUTONOMY		UP TO 12 HOURS IN CONTINUOUS TRANSMISSION
RECHARGE		8 HOURS (MAX)
CONNECTIONS		INTEGRATED BATTERY CHARGER CONNETOR (9÷36 VDC FROM EXTERNAL POWER SOURCE)
WORKING TEMPERATURE		-40°C +80°C
PROTECTION		IP54

ELECTRONIC FEATURES

INTERNAL SYSTEM CONTROL	LOGIC MICROPROCESSOR WATCHDOG
CYCLE TIME	< 10 mS



(20/02/2026) - 1



AL14R

DIGITAL RADIO PUSHBUTTON

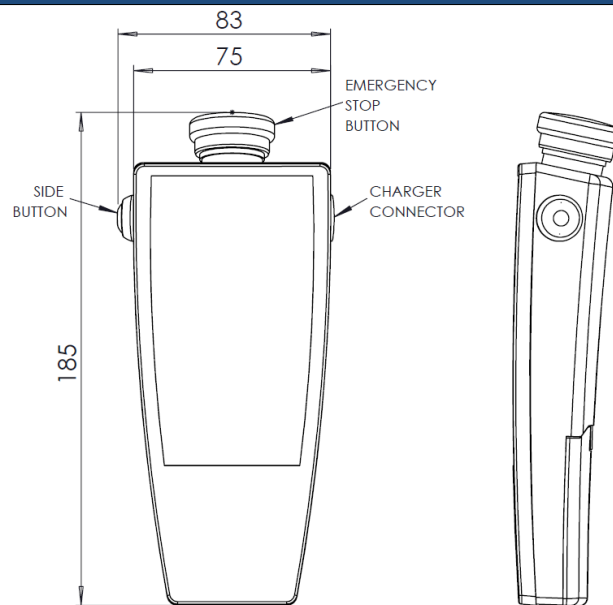
STANDARDS

ELECTROMAGNETIC (EMC) ACCORDING TO DIRECTIVE 2014/30/EU:
EN 61000-6-4
EN 61000-6-2
EN 50498

RADIO SPECTRUM MATTERS (RED) ACCORDING TO DIRECTIVE 2014/53/EU:
ETSI EN 300.220-1
ETSI EN 301.489-1
ETSI EN 301.489-3

ACCORDING WITH THE EN50498 THE DEVICE MEETS THE TECHNICAL SPECIFIC REQUIREMENTS OF 2004-104 DIRECTIVE (AUTOMOTIVE).

SIZE (mm)



NOTE: THE BATTERY CHARGER CONNECTOR AND THE RIGHT SIDE BUTTON MAY BE EXCHANGED ON REQUEST

STATUS BAR

BATTERY CHARGER with spiral cable included
INPUT: 12/24 VDC

OPTIONAL:
BATTERY CHARGER with spiral cable
INPUT: 220/230 VAC



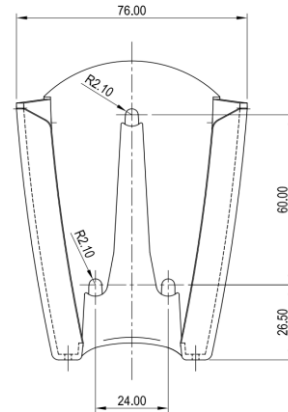


AL14R

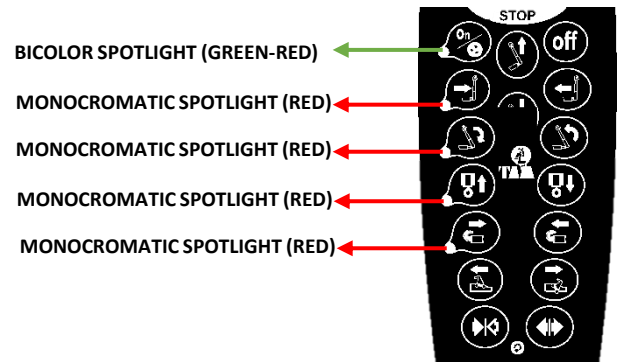
DIGITAL RADIO PUSHBUTTON

CONNECTIONS

MOUNTING BRACKET
Included



SPOTLIGHTS LABEL



OPTIONAL:
PROTECTIVE FAUX LEATHER CASE WITH SHOULDER BELT



CUSTOMIZABLE KEYBOARD GRAPHIC



CONFIGURATION SAMPLE (ALMEC PRODUCTS COMBINATION)

TECHNICAL FEATURES (SEE THE DATASHEET ON WEB FOR MORE INFORMATION)

MASTER CODE	RDC EVO
POWER SUPPLY	9 - 30 VDC
COMMUNICATION	NETWORK: CAN BUS 2.0B COMPLIANT – (11, 29 BIT) – ISO 11898-2 UP TO 1Mbit/s RADIO: 868 MHz / 434 MHz BAND
CONNECTIONS	MAIN: TE DEUTSCH DTF13-6P ANTENNA: SMA socket
CASE	ENCAPSULATED IN PUR RESIN - SELF-EXTINGUISHING UL94 (V0)



AL14R	RDC EVO
RADIO TRANSMITTER	RADIO RECEIVER



NOTE