



ALMSNT

5X1 CHARACTER HMI



- HMI designed for diagnosis, parametrization and control applications
- CAN BUS network
- 3 buttons with a backlight
- 5-digit display with customizable graphics
- 6 custom led
- 10 multicolor LED status-bar ideal for displaying load, speed or rpm status
- Suitable for use in harsh work environments

TECHNICAL DATA

MASTER CODE	CRS.311
POWER SUPPLY	9-36 VDC
OUTPUT	optional: N.1 DIGITAL HIGH SIDE OUTPUT (MAX 500 mA)
BUTTONS	N. 3 FRONTAL KEYS (WITH INTEGRATED BACKLIGHT)
LEDS	N. 10 RAMP OF PROGRAMMABLE MULTICOLOR STATUS LEDES N. 6 PROGRAMMABLE LEDES
CAN BUS	1 PORT: 2.0 A/B COMPLIANT - (11, 29 BIT) - ISO 11898 - UP TO 1MBIT/S PROTOCOL: CAN OPEN (CIA DS401 DEVICE PROFILE FOR GENERIC I/O MODULE, WITH DS306 EDS FILE) SAE J1939 (OPTIONAL)
LCD	LCD TYPE: HIGH BRIGHTNESS LED 5 CHARACTER (1 CHARACTER: 7 SEGMENT) VISUAL AREA: 42 (W) X 12.0 (H)
WORKING TEMPERATURE	-40°C +80°C
IP GRADE	CONNECTOR: IP 67 DEVICE: IP69
MATERIAL	ENCLOSURE: SILICONE RUBBER POTTING: PUR RESIN UL94 V0

ELECTRONIC FEATURES

SLAVE USAGE	EDS FILE
PROGRAMMING	FIRMWARE UPLOAD BY CAN BUS WITH ALOADER SOFTWARE TOOL
CYCLE TIME	10 mS



(20/02/2026) - 1



ALMSNT

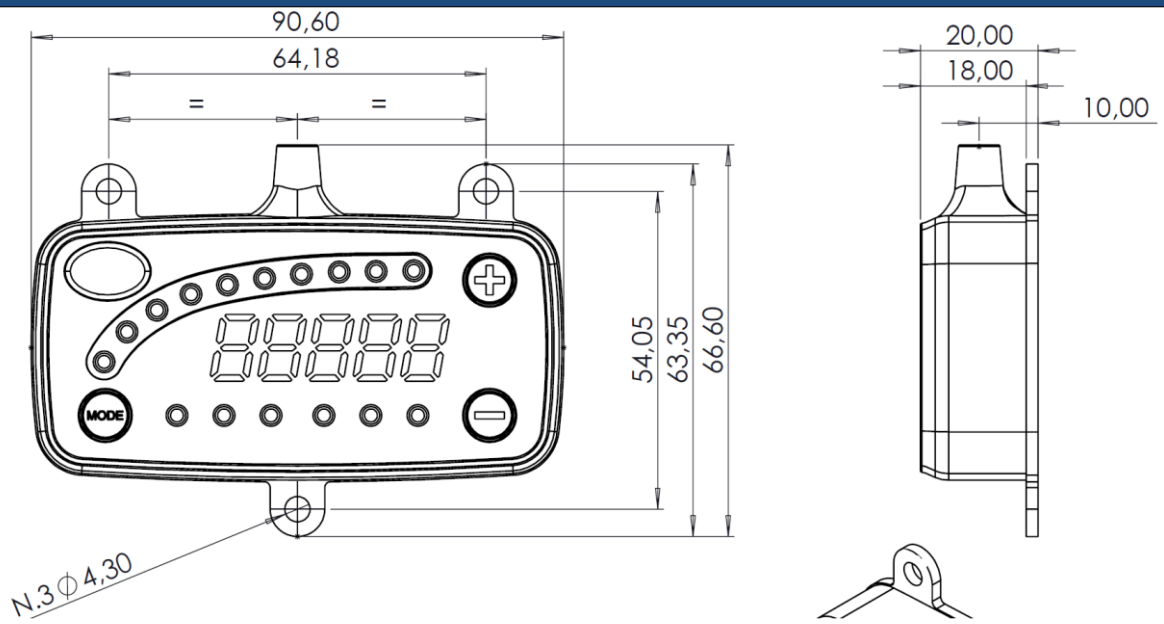
5X1 CHARACTER HMI

STANDARDS

ELECTROMAGNETIC EMISSIONS	EN 61000-6-4 EN 55011 (RF RADIATE)
ELECTROMAGNETIC IMMUNITY	EN 61000-6-2 EN 61000-4-2/3/4/6

IN ACCORDANCE WITH THE EN50498 THE DEVICE MEETS THE TECHNICAL SPECIFIC REQUIREMENTS OF 2004-104 DIRECTIVE (AUTOMOTIVE). THE DEVICE IS EMC 2004/108 COMPLIANT.

SIZE (mm)



ELECTRICAL CONNECTIONS

WIRED
AMP SUPERSEAL 4 PIN FPM
CABLE LENGTH: 100 mm

PINOUT			
1	BN	POSITIVE POWER SUPPLY	
2	WH	CAN BUS H	
3	BU	GND POWER SUPPLY	
4	BK	CAN BUS L	

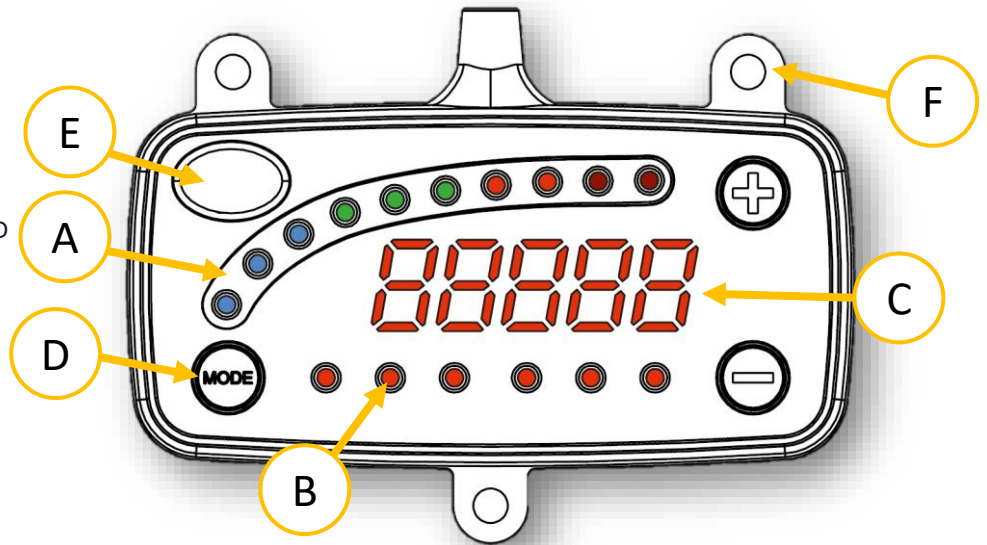




CONNECTIONS

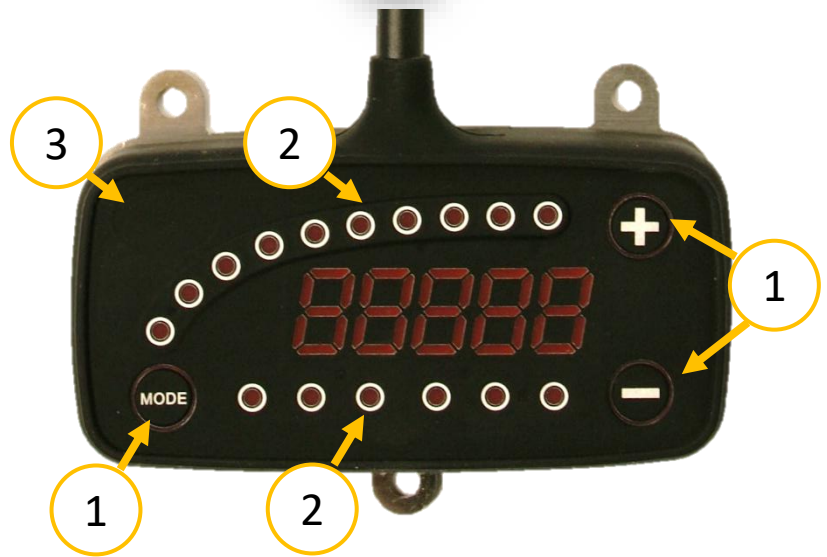
DEVICE CONFIGURATION

- A. PROGRAMMABLE MULTICOLOR STATUS BAR: BLUE-GREEN-RED-DARK RED
- B. STATUS LEDS
- C. 5 DIGITS, 7 SEGMENTS DISPLAY
- D. PUSHBUTTONS WITH BAKCLIGHT
- E. INOX STEEL MOUNTING BRACKET



CUSTOMIZATIONS (MOQ required)

- 1. PUSHBUTTON GRAPHIC PICTOGRAMS
- 2. PICTOGRAMS NEAR THE STATUS LED/BAR LED
- 3. COMPANY LOGO





NOTE