



ALNWR.D

DIGITAL RADIO PUSHBUTTON WITH DISPLAY



- Pushbutton designed for remote control applications of machines equipped with RDC EVO radio receiver
- 16 keys keypad with a backlight and integrated spotlight led
- Graphic display
- Up to 2 side buttons for custom applications
- Customizable keyboard graphic
- Hamming security code for continuous work without interruptions on 434 or 868 MHz band

TECHNICAL DATA

MASTER CODE	ALNWR.D	
POWER SUPPLY	3.7V 2000 mAh Li-ion INTEGRATED BATTERY	
BUTTONS	TOTAL 13	N. 10 FRONTAL KEYS (WITH INTEGRATED BACKLIGHT AND SPOTLIGHT) N. 1 LEFT SIDE BUTTONS (OPTIONAL) N. 1 RIGHT SIDE BUTTON (OPTIONAL) N. 1 EMERGENCY STOP BUTTON
LED	TOTAL 11	N. 10 PROGRAMMABLE SPOTLIGHT LEDS (PUSHBUTTONS INTEGRATED) N.1 STATUS LED (GREEN & RED BICOLOR) OPTIONAL: ADDITIONAL N.2 BICOLOR LED
RADIO FEATURES	BAND: 868 MHz (869.700-870.00 MHz) / 434 MHz (433.050-434.790 MHz) CHANNELS: 12 (AUTOMATIC FREQUENCY SCAN) MODULATION: 2-GFSK ANTENNA: INTEGRATED	
AUTONOMY	UP TO 20 HOURS IN CONTINUOUS TRANSMISSION	
RECHARGE	10 HOURS (MAX)	
CONNECTIONS	INTEGRATED BATTERY CHARGER CONNECTOR (9÷36 VDC FROM EXTERNAL POWER SOURCE @ 0+40°C)	
DISPLAY	FSTN - LCD GRAY - WITH ADJUSTABLE BACKLIGHT 1,8" - DOT MATRIX: 128 X 64 DOTS 41,80 (W) X 26,10 (H) mm – 6:00 VIEWING DIRECTION	
WORKING TEMPERATURE	-10°C +60°C	
PROTECTION	IP64	



Scan me

(20/02/2026)- 1



ALNWR.D

DIGITAL RADIO PUSHBUTTON WITH DISPLAY

ELECTRONIC FEATURES

INTERNAL SYSTEM CONTROL	LOGIC MICROPROCESSOR WATCHDOG
CYCLE TIME	< 10 ms
RADIO PROTOCOL	PACKET TRANSMISSION PROTOCOL BIDIRECTIONAL LINK HAMMING DISTANCE = 4 SAFETY STOP INTERVENTION TIME < 0,5s

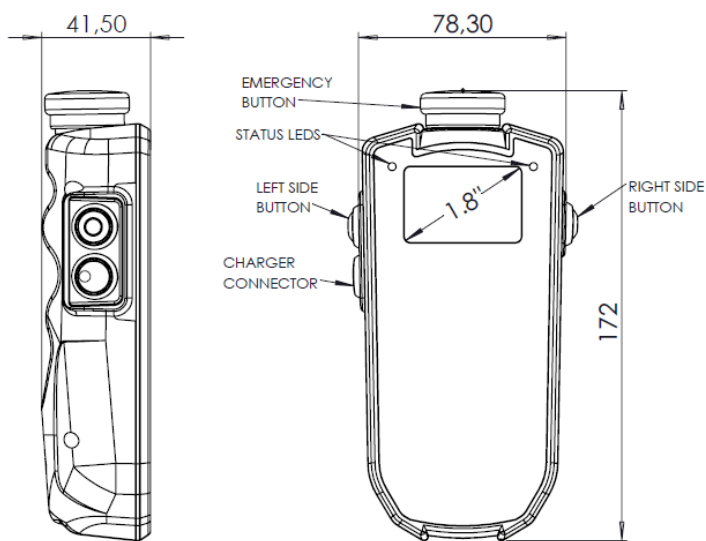
STANDARDS

ELECTROMAGNETIC (EMC)	ACCORDING TO DIRECTIVE 2014/30/EU: EN 61000-6-4 EN 61000-6-2 EN 50498
INFORMATION TECHNOLOGY EQUIPMENT – SAFETY	EN 60950-1
RADIO SPECTRUM MATTERS (RED)	ACCORDING TO DIRECTIVE 2014/53/EU: ETSI EN 300.220-1 ETSI EN 300.220-2 ETSI EN 301.489-1 ETSI EN 301.489-3
EMERGENCY STOP BUTTON (manufacturer's specification)	EN60947-5-1 EN60947-5-5

ACCORDING WITH THE EN50498 THE DEVICE MEETS THE TECHNICAL SPECIFIC REQUIREMENTS OF 2004-104 DIRECTIVE (AUTOMOTIVE).

SIZE (mm)

CHARGER



NOTE: THE BATTERY CHARGER CONNECTOR AND THE RIGHT SIDE BUTTON MAY BE EXCHANGED ON REQUEST



BATTERY CHARGER with spiral cable included
INPUT: 12/24 VDC

OPTIONAL:
BATTERY CHARGER with spiral cable
INPUT: 220/230 VAC

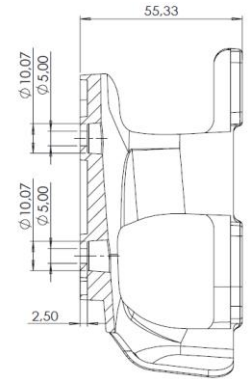
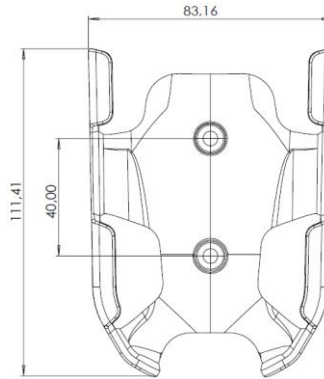


ALNWR.D

DIGITAL RADIO PUSHBUTTON WITH DISPLAY

CONNECTIONS

MOUNTING BRACKET



OPTIONAL

INTEGRATED MAGNETIC BRACKET



CUSTOMIZABLE KEYBOARD GRAPHIC

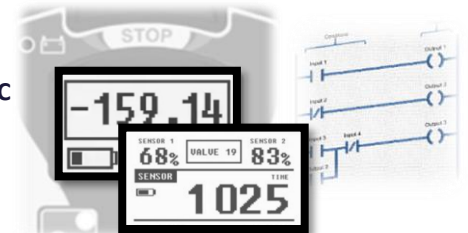


FAUX LEATHER CASE

with rear spring clips for belt attachment and lid with velcro closure for quick withdrawal.



CUSTOMIZABLE GRAPHIC DISPLAY and WORKING LOGIC



CONFIGURATION SAMPLE (ALMEC PRODUCTS COMBINATION)

TECHNICAL FEATURES (SEE THE DATASHEET ON WEB FOR MORE INFORMATION)

MASTER CODE	RDC EVO
POWER SUPPLY	9 - 30 VDC
COMMUNICATION	NETWORK: CAN BUS 2.0B COMPLIANT – (11, 29 BIT) – ISO 11898-2 UP TO 1Mbit/s RADIO: 868 MHz / 434 MHz BAND
CONNECTIONS	MAIN: TE DEUTSCH DTF13-6P ANTENNA: SMA socket
CASE	ENCAPSULATED IN PUR RESIN - SELF-EXTINGUISHING UL94 (V0)



ALNWR RADIO TRANSMITTER RDC EVO RADIO RECEIVER



NOTE