



ALNW.D

DIGITAL PUSHBUTTON WITH DISPLAY



- Pushbutton designed for control applications of machines equipped with CAN BUS or SERIAL network
- Emergency button with dry contacts
- 10 keys keypad with a backlight and an integrated spotlight led
- Graphic display
- Up to 3 side buttons can be installed for custom applications (on request)
- Customizable keyboard graphics
- Spiral cable and the rugged connector

TECHNICAL DATA

MASTER CODE		ALNW.D
POWER SUPPLY		9-36 VDC / CURRENT ABSORPTION 25mA AT 24VDC (STAND BY MODE)
BUTTONS	TOTAL 14	N. 10 FRONTAL KEYS (WITH INTEGRATED BACKLIGHT AND SPOTLIGHT) N. 2 LEFT SIDE BUTTONS (OPTIONAL) N. 1 RIGHT SIDE BUTTON (OPTIONAL) N. 1 EMERGENCY STOP BUTTON
LED	TOTAL 12	N. 10 PROGRAMMABLE SPOTLIGHT LEDES (PUSHBUTTONS INTEGRATED) N. 1 STATUS LED (GREEN & RED BICOLOR) N.1 BICOLOR LED
CAN BUS	1 PORT	2.0B COMPLIANT - (11, 29 BIT) - ISO 11898 - UP TO 1MBIT/S
CAN BUS PROTOCOLS		CAN OPEN (CIA DS401 DEVICE PROFILE FOR GENERIC I/O MODULE, WITH DS306 EDS FILE) OPTIONAL: SAE J1939
SERIAL	1 PORT	RS232 / RS422 / RS485
CONNECTION	WIRED	SEE PAGE 2 FOR OPTIONS
DISPLAY		FSTN - LCD GRAY - WITH ADJUSTABLE BACKLIGHT 1,8'' - DOT MATRIX: 128 X 64 DOTS 41,80 (W) X 26,10 (H) mm – 6:00 VIEWING DIRECTION
WORKING TEMPERATURE		-20°C +60°C
PROTECTION		IP64



(20/02/2026) - 1



ALNW.D

DIGITAL PUSHBUTTON WITH DISPLAY

ELECTRONIC FEATURES

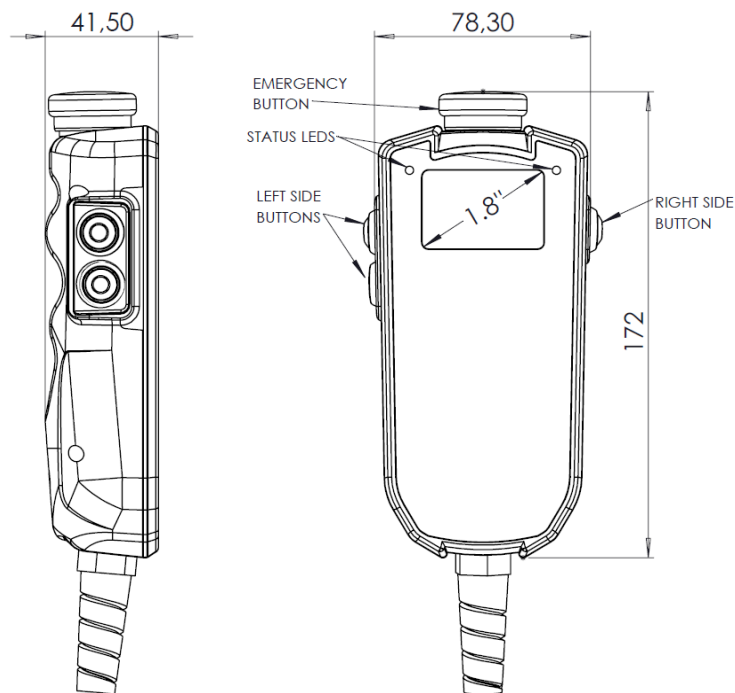
SLAVE USAGE	EDS FILE
PROGRAMMING	FIRMWARE UPLOAD BY CAN BUS WITH ALOADER SOFTWARE TOOL
EMERGENCY STOP BUTTON	35 VDC; 2 A

STANDARDS

ELECTROMAGNETIC (EMC)	ACCORDING TO DIRECTIVE 2014/30/EU:
	EN 61000-6-4
	EN 61000-6-2
EMERGENCY STOP BUTTON	EN 60947-5-1
	EN 60947-5-5
	(manufacturer's specification)

ACCORDING WITH THE EN50498 THE DEVICE MEETS THE TECHNICAL SPECIFIC REQUIREMENTS OF 2004-104 DIRECTIVE (AUTOMOTIVE).

SIZE (mm)



ELECTRICAL CONNECTIONS AVAILABLE

SPIRAL CABLE L = 80 cm (EXTENDED L = 450 cm) - CUSTOMIZABLE LENGTH ON REQUEST

AMP SUPERSEAL 6 PIN CONNECTOR



UTG608P SOURIAU CONNECTOR





ALNW.D

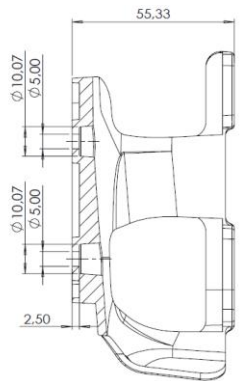
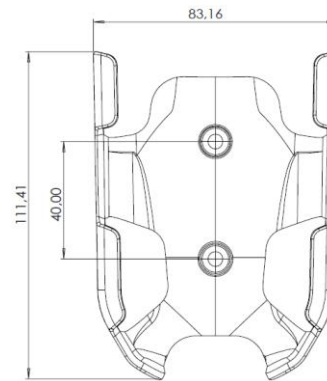
DIGITAL PUSHBUTTON WITH DISPLAY

CONNECTIONS PINOUT

CAN VERSION CONNECTIONS			SERIAL VERSION CONNECTIONS		
PIN	COLOR	DESCRIPTION	PIN	COLOR	DESCRIPTION
1	BROWN	POSITIVE POWER SUPPLY	1	BLACK	POSITIVE POWER SUPPLY
2	ORANGE	CAN H	2	GREY	NEGATIVE POWER SUPPLY
3	WHITE	NEGATIVE POWER SUPPLY	3	YELLOW	A-LINE
4	YELLOW	CAN L	4	ORANGE	B-LINE
5	VIOLET	EMERGENCY BUTTON DRY CONTACT	5	BROWN	EMERGENCY BUTTON DRY CONTACT
6	TURQUOISE	EMERGENCY BUTTON DRY CONTACT	6	VIOLET	EMERGENCY BUTTON DRY CONTACT

FEATURES

MOUNTING BRACKET

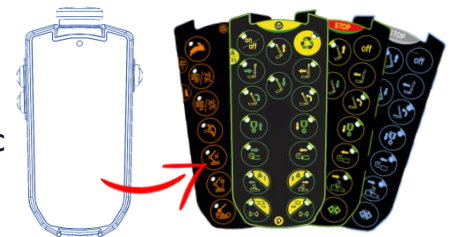


OPTIONAL

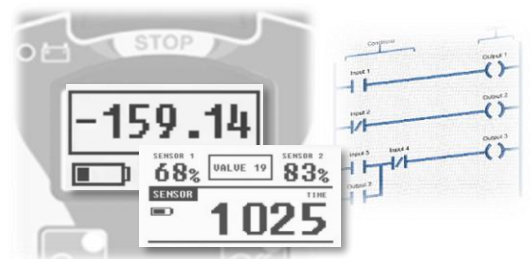
INTEGRATED MAGNETIC BRACKET



CUSTOMIZABLE KEYBOARD GRAPHIC



CUSTOMIZABLE GRAPHIC DISPLAY and WORKING LOGIC





NOTE