



- **HMI** for control and automation on **off-highway vehicle equipment**
- Suitable for **indoor / outdoor** applications
- **8" High resolution** display with **capacitive** multi-touch screen technology
- Heavy-Duty **Rugged Design**
- Up to 4 HD analog **camera input**
- Multiple **communication ports**
- **IoT connection** module on-board



TECHNICAL FEATURES

POWER SUPPLY 12 / 24 Vdc

CONSUMPTION @ 12V ≤ 0,4 A in power on mode (without camera)
≤ 6 mA in power off mode

DISPLAY SIZE: 8"
RESOLUTION: 1280 x 800
BRIGHTNESS: Up to 450 cd/m²
FULL-FIT SCREEN TECHNOLOGY
TOUCH SCREEN: CAPACITIVE

INTERFACE **CAN-BUS** : No. 2 PORTS: 2.0B COMPLIANT - (11, 29 BIT) - ISO 11898 - UP TO 1MBIT/S (PROPEARY PROTOCOL)
SERIAL: No. 2 PORT RS485
ETHERNET: RJ45
AUDIO: SPEAKER OUTPUT & MICROPHONE INPUT

COMUNICATION Optional **WI-FI**: 2.4G WiFi, IEEE802.11 b/g/n
BLUETOOTH: BT2.1+EDR/3.0/4.0 BLE
GNSS: Meter-level GNSS module, Circular Error Probability 2m
LTE: EU LTE-FDD: B1/B3/B7/B8/B20/B28
LTE-TDD: B38/B40/B41
WCDMA: B1/B8
GSM/EDGE: B3/B8

CONNECTION MAIN CONNECTOR: AMPSEAL 23 PIN
AUDIO CONNECTOR: AVIATION 6 PIN
GNSS: SMA female antenna
LTE: SMA female antenna
USB: Type-C (for software debugging) + USB Host A
CARD HOLDER: TF Card + Nano SIM Card

ENVIRONMENT Storage temperature: -30 +80°C
Working temperature: -20 +70°C
Relative Humidity: 10 to 90% at 40°C, non-condensing



**SMART VIEW M****RUGGED SMART HMI FOR OFF-HIGHWAY****ELECTRONIC FEATURES**

PROGRAMMABILITY	QT creator on pre-configured virtual machine
CPU	64-bit processor, quad-core Cortex A53, frequency 1.5GHz, passed AEC-Q100 test
MEMORY	RAM: 4 GB STORAGE: 64 GB
OS	Linux kernel + QT
RTC	yes

STANDARDS

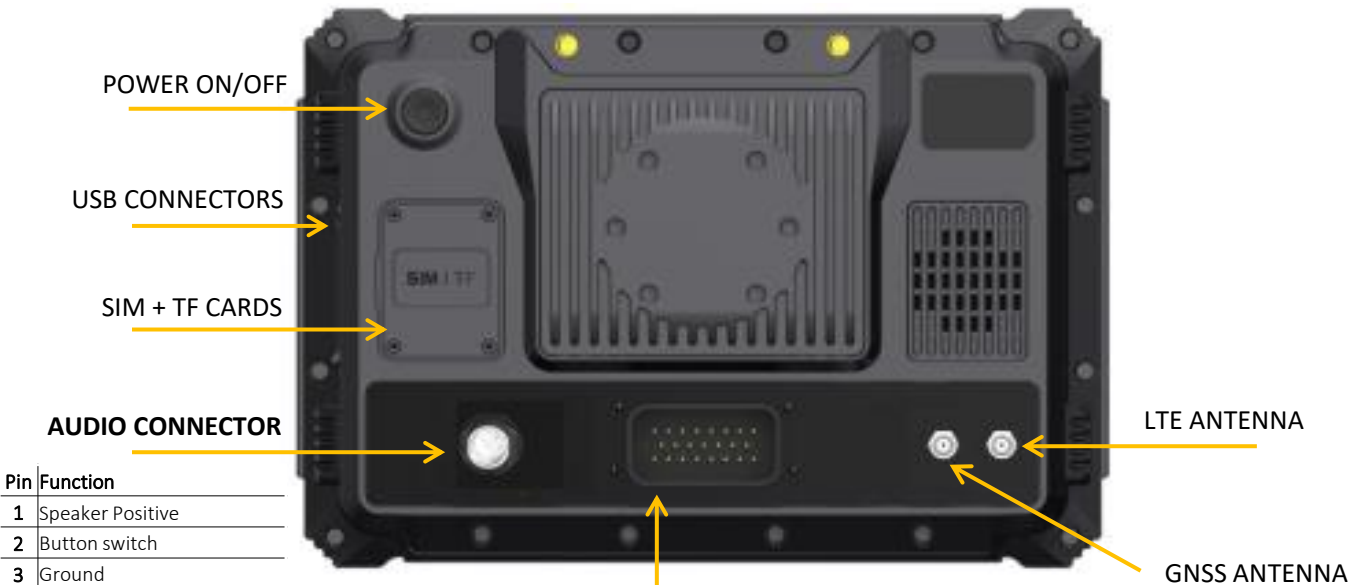
IP RATING	IEC 60529: IP65
APPROVAL	CE RED RoHS
EMISSIONS AND IMMUNITY	ETSI EN 301 489-1 V2.2.3 (2019-11) Draft ETSI EN 301 489-17 V3.2.5 (2022-08) ETSI EN 301 489-19 V2.2.1 (2022-09) ETSI EN 301 489-52 V1.2.1 (2021-11) ETSI EN 300 328 V2.2.2 (2019-07) ETSI EN 301 511 V12.5.1 (2017-03) ETSI EN 301 908-1 V15.2.1 (2023-01) ETSI EN 301 908-2 V13.1.1 (2020-06) ETSI EN 301 908-1 V15.2.1 (2023-01) ETSI EN 301 908-13 V13.2.1 (2022-02) ETSI EN 303 413 V1.2.1 (202-04) EN IEC 62311:2020 EN IEC 62368-1: 2020+A11:2020
ROHS	IEC 62321-1:2013 IEC 62321-2:2021 IEC 62321-3-1:2013 IEC 62321-5:2013 IEC 62321-4:2013+AMD1:2017 CSV IEC 62321-6:2015 IEC 62321-7-1:2015 IEC 62321-7-2:2017 IEC 62321-8:2017
POWER	ISO7637-2
SHOCK AND VIBRATIONS	IEC 60068-2-6
COVER LENS ENDURANCE	SJ/T 11041-1996



SMART VIEW M

RUGGED SMART HMI FOR OFF-HIGHWAY

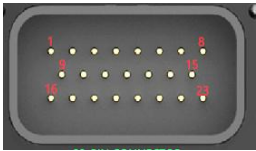
CONNECTIONS



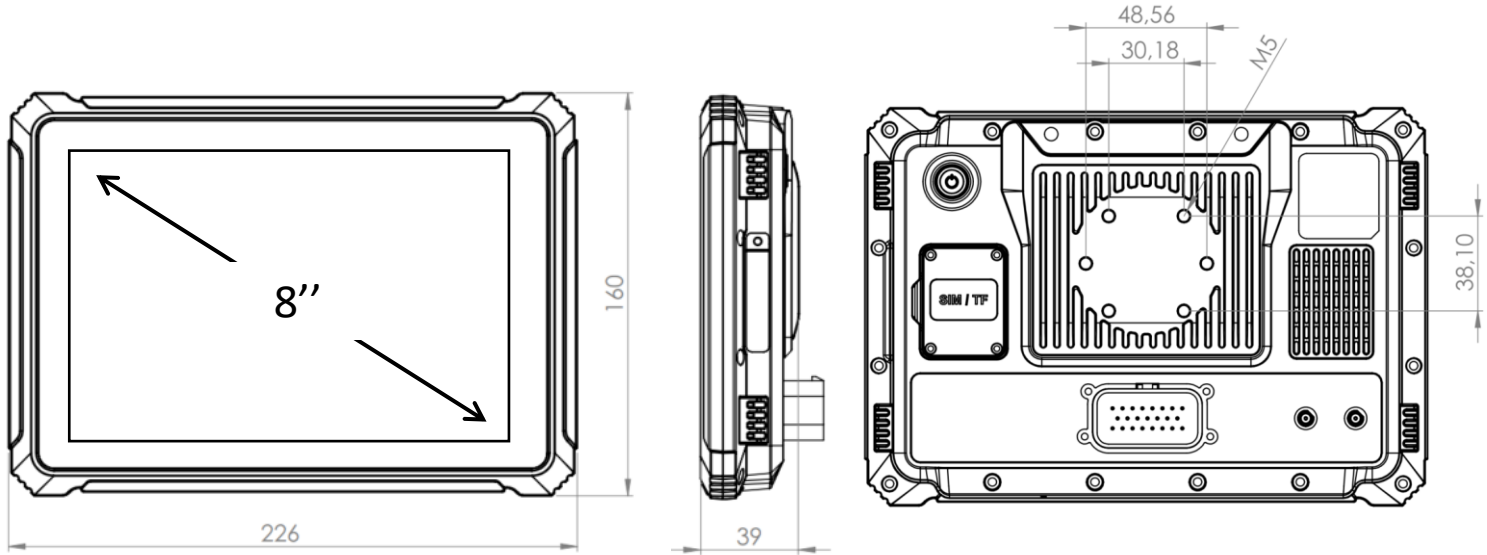
Pin	Function
1	Speaker Positive
2	Button switch
3	Ground
4	Microphone Positive
5	Speaker Negative
6	NA

MAIN CONNECTOR

Pin	Function	Pin	Function
1	CAN 1 H	13	Camera 12V OUT1
2	CAN 1 L	14	Camera 12V OUT2
3	CAN 2 H	15	Reverse Signal Input
4	CAN 2 L	16	n/a
5	GND power supply	17	RS 485 A
6	GND power supply	18	RS 485 B
7	Positive power supply	19	RJ45 TX +
8	Positive power supply	20	RJ45 TX -
9	ANALOG HD CAMERA 1	21	RJ45 RX +
10	ANALOG HD CAMERA 2	22	RJ45 RX -
11	ANALOG HD CAMERA 3	23	POWER ON KEY
12	ANALOG HD CAMERA 4		



SIZE (mm)





NOTE