

- Synoptic led for cabin usage on industrial lifting machines, materials handling and aerial platforms equipped with a CAN bus network
- Fully customizable on the customer's own design
- Up to 20 output led (monocromatic/bicolor)
- One button integration on request
- NFC antenna for contactless operator authentication
- Integrated buzzer
- Fully customizable LED layout and graphic label

TECHNICAL FEATURES

| | |
|-------------------------------|--|
| MASTER CODE | CRS.349 |
| POWER SUPPLY | 9-30 VDC |
| COMMUNICATION PORTS | NETWORK: CAN BUS 2.0B COMPLIANT (11, 29 BIT) ISO 11898 2 UP TO 1Mbit/s PROTOCOL: CAN OPEN protocol (CIA DS401 DEVICE PROFILE FOR GENERIC I/O MODULE, WITH DS306 EDS FILE) Baud rate: 10, 20, 50, 100, 125, 250, 500, 1000 kbps (Default = 250 kbps) |
| LEDS | Up to 20 OUTPUT designed for NONCROMATIC/BICOLOR LED |
| BUZZER | YES – UP TO 94 dBA |
| BUTTON | Up to 1 INPUT designed for a pushbutton (additional emergency stop button/buttons, on request) |
| NFC <i>optional</i> | NFC antenna for universa NFC tag recognition (NTAG213 type 2 ISO/IEC 14443-A) |
| CONNECTIONS | 4 PIN SUPERSEAL / FREE WIRES / M12 4 PIN CONNECTOR |
| CASE | BLACK PA Mounting bracket: stainless steel |
| TEMPERATURE | -40+80°C |
| PROTECTION | IP50 |



(20/02/2026) - 1



CRS.349

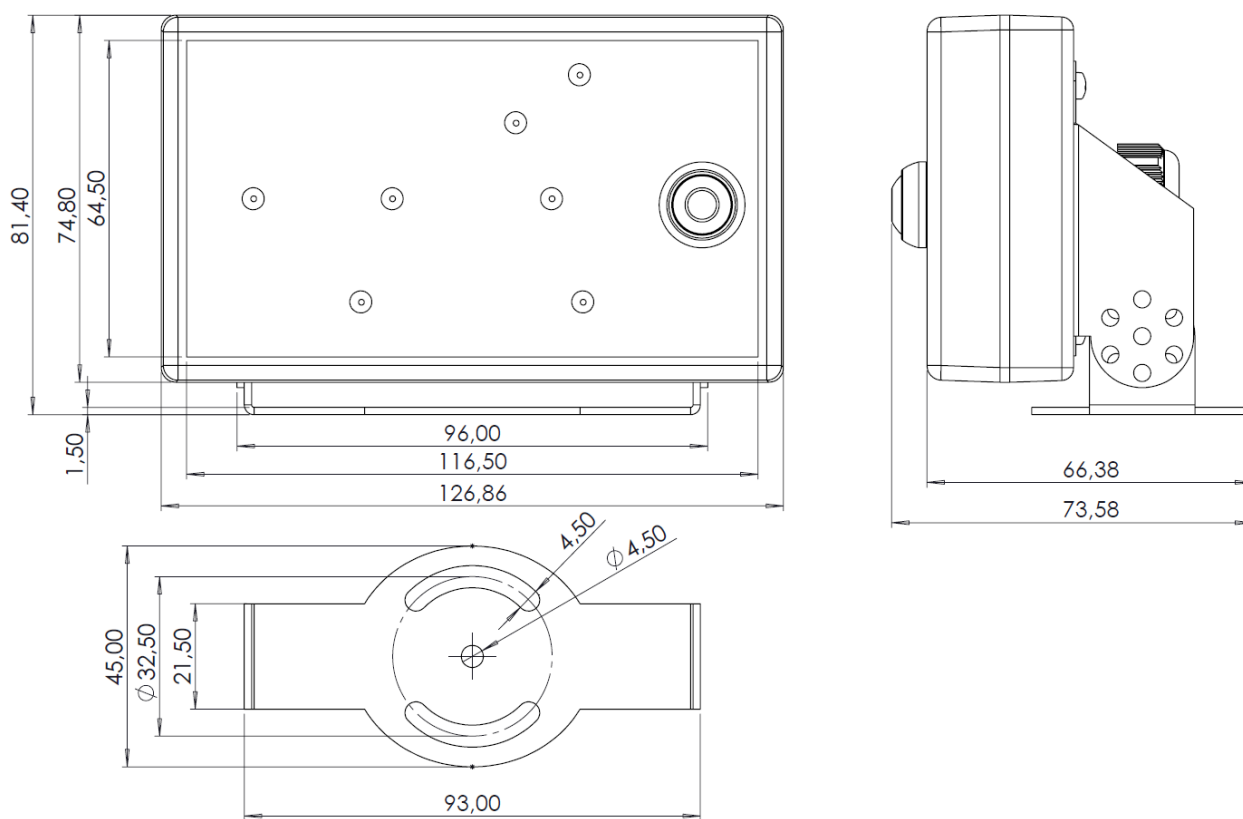
CAN BUS SYNOPTIC

STANDARDS

ELECTROMAGNETIC (EMC) ACCORDING TO DIRECTIVE 2014/30/EU:
EN 61000-6-4
EN 61000-6-2
EN 50498

ROAD VEHICLES ISO 7637-2: 2011
ISO 11452-1: 2005

SIZE



SAMPLE LAYOUT [mm]

ELECTRICAL CONNECTIONS

AMP SUPERSEAL 4 PIN FPM
CABLE LENGTH: 100 mm
PINOUT

AMP SUPERSEAL 4 PIN FPM
CABLE LENGTH: 100 mm
PINOUT

FREE WIRES
CABLE LENGTH: 100mm
PINOUT

| | | | | | |
|---|-----------------------|---|-----------------------|----|-----------------------|
| 1 | POSITIVE POWER SUPPLY | 1 | POSITIVE POWER SUPPLY | BN | POSITIVE POWER SUPPLY |
| 2 | CAN BUS H | 4 | CAN BUS H | WH | CAN BUS H |
| 3 | GND POWER SUPPLY | 3 | GND POWER SUPPLY | BU | GND POWER SUPPLY |
| 4 | CAN BUS L | 2 | CAN BUS L | BK | CAN BUS L |



NOTE